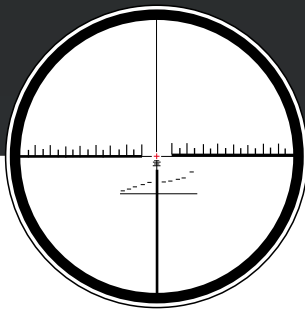
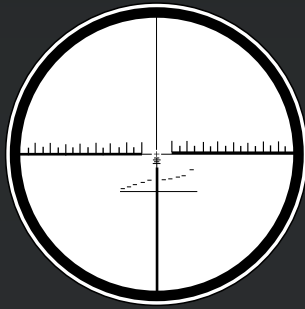
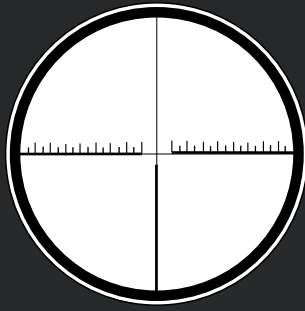


Kaps Rifle Scopes – Tactical Series

Rifle scopes for precision marksmen



Kaps rifle scopes – guaranteed accuracy

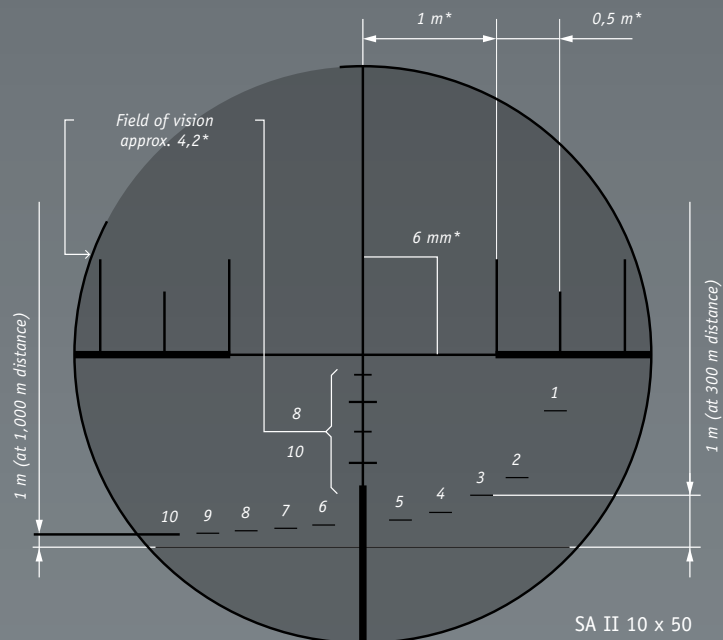


Available reticles:

Tactical, Spindler and Spindler BA
(from top to bottom)

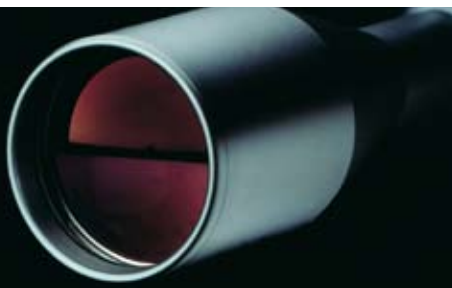
Elevation scale for ammunition: .308/168 grain

When the elevation is at 600 metres, the specifications made for distances between 700 and 1,000 meters apply



* at 100 m distance

Tried-and-tested in all situations, the Kaps Tactical is characterized by its high-resolution lens with outstanding transmission. The tube body is made from a special aluminium alloy and has been turned from solid material. The hard anodized finish is broadly resistant to mechanical effects, practically scratch-proof and will withstand even the most toughest of uses.



High transmission with excellent image quality through contrast-enhancing multi-coated finishing

- Parallax-free adjustment at 100 metres or in accordance with customer-specific requirements.
- Optional digital illumination unit (cross or spot illumination).
- Temperature ranges from -35 to +65°C do not cause any problems for the mechanical or optical components. Which is also demonstrated by the 30-year warranty.
- The high-quality lenses with multi-layered, anti-reflex and vapour-deposited coatings guarantee high contrast and transmission.
- **Replaceable ring**, scaled for .308/168 grain ammunition. The numbers on the ring mark target distances from 100 to 600 metres. When a target distance of 600 metres is set, additional markings on the reticle plate will allow distances from between 700 and 1000 metres to be set (for .308/168 grain).
- Bullet-proof up to calibre .50 BMG
- Rapid ballistic trajectory compensation for standardized rifle calibres.



Kaps Tactical Series



The following presents a comparison overview of our rifle scopes' technical specifications:

Data	2,5 - 10 x 56 Tactical	2,5 - 10 x 50 Tactical	8 x 56 Tactical	
Magnification	2.5 - 10x	2.5 - 10x	8x	
Lens diameter	56	50	56	mm
Field of vision at 100 m	4.2 - 12.4	4.2 - 12.4	5.5	m/100 m
Exit pupil	5.6 - 14.4	5 - 14.4	5.7	mm
Eye distance	90	90	90	mm
Dioptre compensation	-2.5 + 2	-2.5 + 2	-2.5 + 2	dpt
Twilight factor	7.1 - 23.5	7.1 - 22.4	7.1 - 23.5	
Hit correction /click	10	10	8	mm/100 m
Parallax-free	100	100	100	100 m
Centre tube diameter	30	30	30	mm
Length	370	370	380	mm
Weight without rail	620	585	730	g
Weight with rail	650	615	760	g

* Fig. shows version with illuminated reticles



Accessories – Honeycomb grids

The honeycomb grids (Kill Flash) have been specially designed for the Tactical Series of rifle scopes. They eliminate interference from external light sources in the lens by almost 100%. But they do not affect target observation.



Karl Kaps GmbH & Co.KG • Europastraße • 35614 Asslar/Wetzlar
Telephone +49 (0 64 41) 8 07 04-0 • Telefax +49 (0 64 41) 8 59 85
www.kaps-zielfernrohre.de • e-mail: info@kaps-optik.de

Kaps Rifle Scopes – Tactical Series

Rifle scopes for precision marksmen



Kaps rifle scopes – guaranteed accuracy